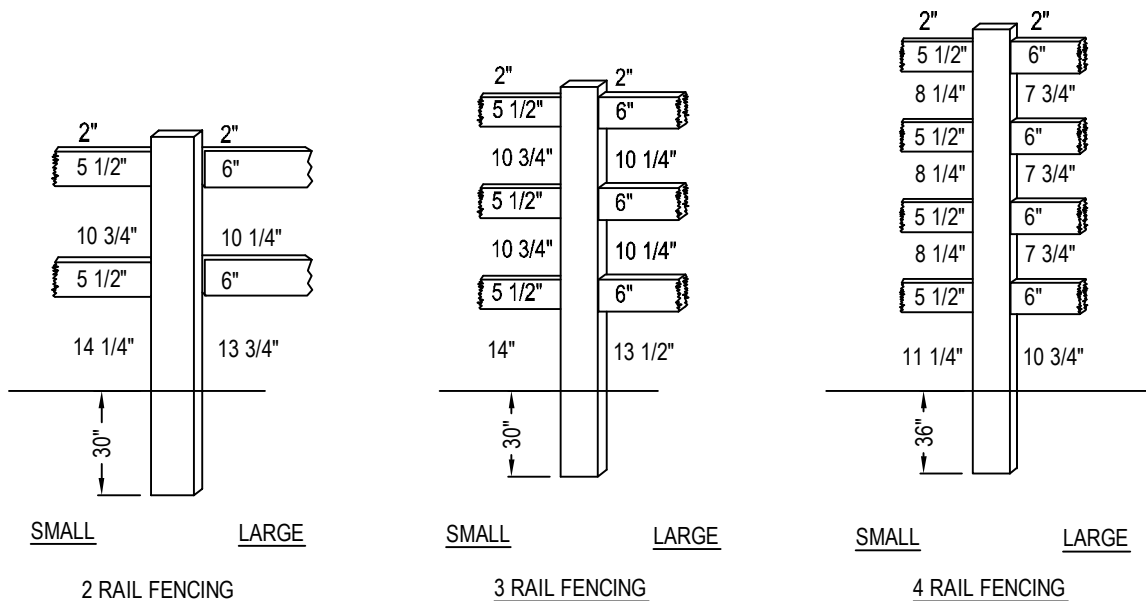


SELECT DESIRED HEIGHT:

SELECT DESIRED COLOR:

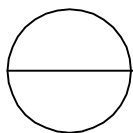
- 2 RAIL SMALL
- 2 RAIL LARGE
- 3 RAIL SMALL
- 3 RAIL LARGE
- 4 RAIL SMALL
- 4 RAIL LARGE

- ARCTIC BLEND
- BRAZILIAN BLEND
- SIERRA BLEND
- WEATHERED BLEND



NOTES:

1. INSTALLATION TO BE COMPLETED IN ACCORDANCE WITH MANUFACTURER'S SPECIFICATIONS.
2. DO NOT SCALE DRAWING.
3. THIS DRAWING IS INTENDED FOR USE BY ARCHITECTS, ENGINEERS, CONTRACTORS, CONSULTANTS AND DESIGN PROFESSIONALS FOR PLANNING PURPOSES ONLY. THIS DRAWING MAY NOT BE USED FOR CONSTRUCTION.
4. ALL INFORMATION CONTAINED HEREIN WAS CURRENT AT THE TIME OF DEVELOPMENT BUT MUST BE REVIEWED AND APPROVED BY THE PRODUCT MANUFACTURER TO BE CONSIDERED ACCURATE.
5. CONTRACTOR'S NOTE: FOR PRODUCT AND COMPANY INFORMATION VISIT www.CADdetails.com/info AND ENTER REFERENCE NUMBER 035-098



POST & RAIL FENCING

(BUFFTECH) POST & RAIL CERTAGRAIN FENCING DETAILS: 2-RAIL, 3-RAIL & 4-RAIL